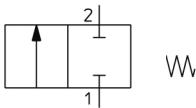


VM100, 100 Series 2/3 Port Mechanical Valve VM132-M5-08A

Data Sheet

We have upgraded our long life 2/3 port mechanical valve, VM 100/200 Series that has been redesigned with simplicity in mind. Brighter in appearance, the VM100/200 can withstand harsh operating conditions, demonstrating an ongoing commitment to refine our products. The series' lightweight and compact design, delivers both cost and space savings. It has four mounting variations, two piping options and several types of actuators that can be easily interchanged and/or replaced. Visual control has been simplified thanks to colourful push button and twist selector options; plus a small, visual indicator on the VM100 bottom ported model also makes maintenance checks easier to perform. Suitable for a wide range of applications, including vacuum, the VM 100/200 is ideal for pneumatic control panels and confirming the position of a workpiece using a pneumatic signal.

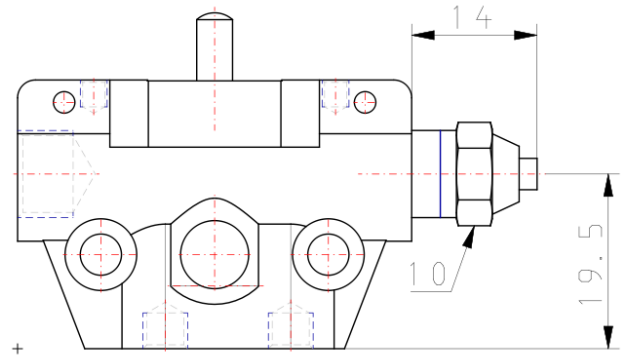
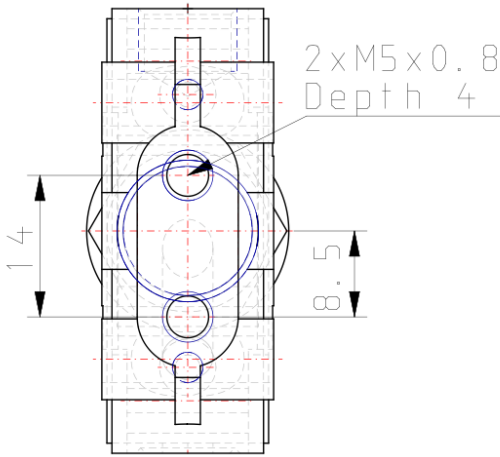
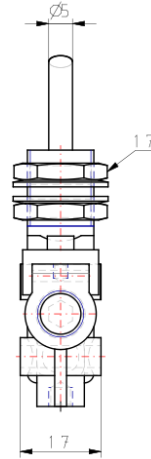
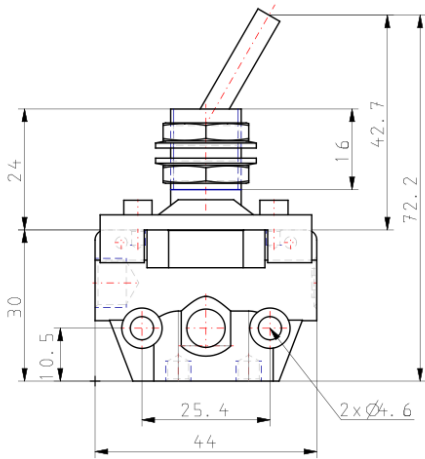


Directional control valve 2/2-way valve, closed normal position return with mechanical control spring

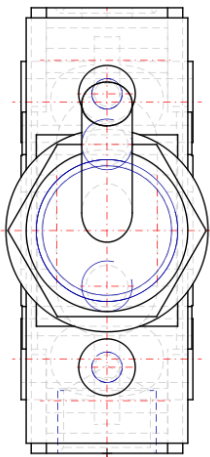
Standard Specifications

Number of Ports	3 Port
Piping Direct., Plunger Length	Bottom Ported Long
Body Option	Side Mounting
Port Size	M5 x 0.8, Bottom Ported Only
Actuator type	Toggle Lever
Suffix	None
Indicator	None
Bracket	None
Pressure medium	Air/Inert gas
Maximum temperature of pressure medium	60 °C, 60 °C
Minimum temperature of pressure medium	-5 °C (No freezing), -5 °C (No freezing)
Maximal operating pressure	1.0 Mpa
Minimum operating pressure	-100 kPa
Maximum ambient temperature	60 °C, 60 °C
Minimum ambient temperature	-5 °C (No freezing), -5 °C (No freezing)
Conform to the European RoHS Directive	Conform
Pneumatic input connection	M5 x 0.8
Pneumatic exhaust connection	M5 x 0.8
Function in normal position	Exhausted
Type of piloting	Directly
Valve return	Mechanical spring
Flow rate	120 NI/min
b Value	0.2
c Value	0.5
Usable tubing material	PU
Subfamily	2/3 Port Mechanical Valve
Actuation type	Manually
Weight	0.108 kg

Dimensions

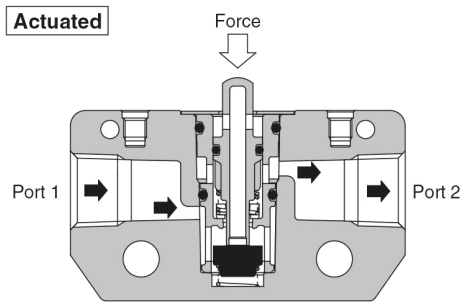
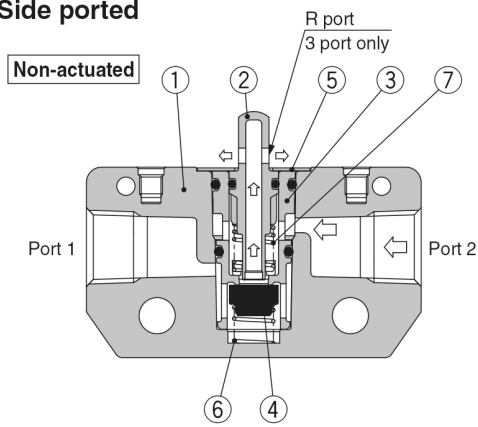


Indicator detail

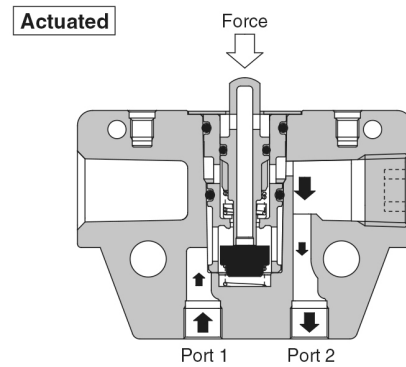
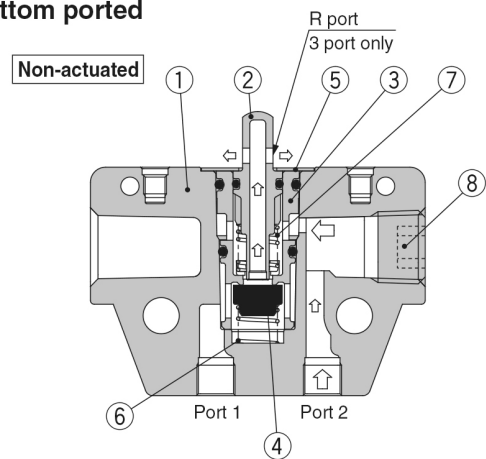


Constructions

Side ported



Bottom ported



Component Parts

No.	Description	Material	Note
1	Valve	ZDC	White coated
2	Plunger	Polyacetal	2 port Grey
			3 port White
3	Valve sheet	PBT	
4	Valve	NBR	

No.	Description	Material	Note
5	Plunger retainer	Stainless steel	
6	Spring	Stainless steel	
7	Spring	Spring steel	
8	Hexagon socket head taper plug	Rolled steel	

Additional information

Catalogue	VM100-200-A_EU.pdf
Installation Manuals	IM_VM_SMT03EN-A.pdf

Related Products



TU0425B-20
TU, Polyurethane Tubing, Metric Size



KQ2H04-M5AS1
KQ2H, One-touch Fitting White Color - Male Connector



AC20-B to AC60-B, Modular Type, Air Filter + Regulator + Lubricator



VHK
VHK*, Finger Valve



VR12
VR12, Transmitter - Shuttle Valve Series



C(D)Q2, Compact Cylinder, Double Acting, Single Rod w/Auto Switch Mounting Groove



CP96S(D), ISO 15552 Cylinder, Double Acting, Single/Double Rod with Air cushion on both ends and Bumper cushion



C(D)85, ISO Standard Cylinder, Double Acting, Single Rod



M(D)B-Z, Air Cylinder, Double Acting, Single Rod